

NorMar BoomReels with Turntable

Oil Spill *Response* Equipments

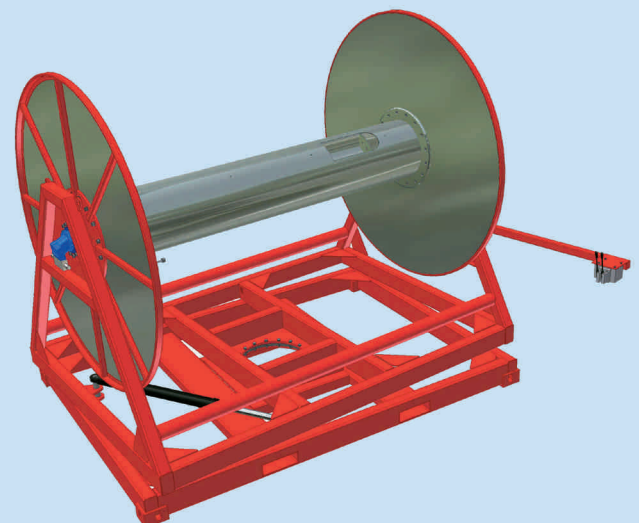
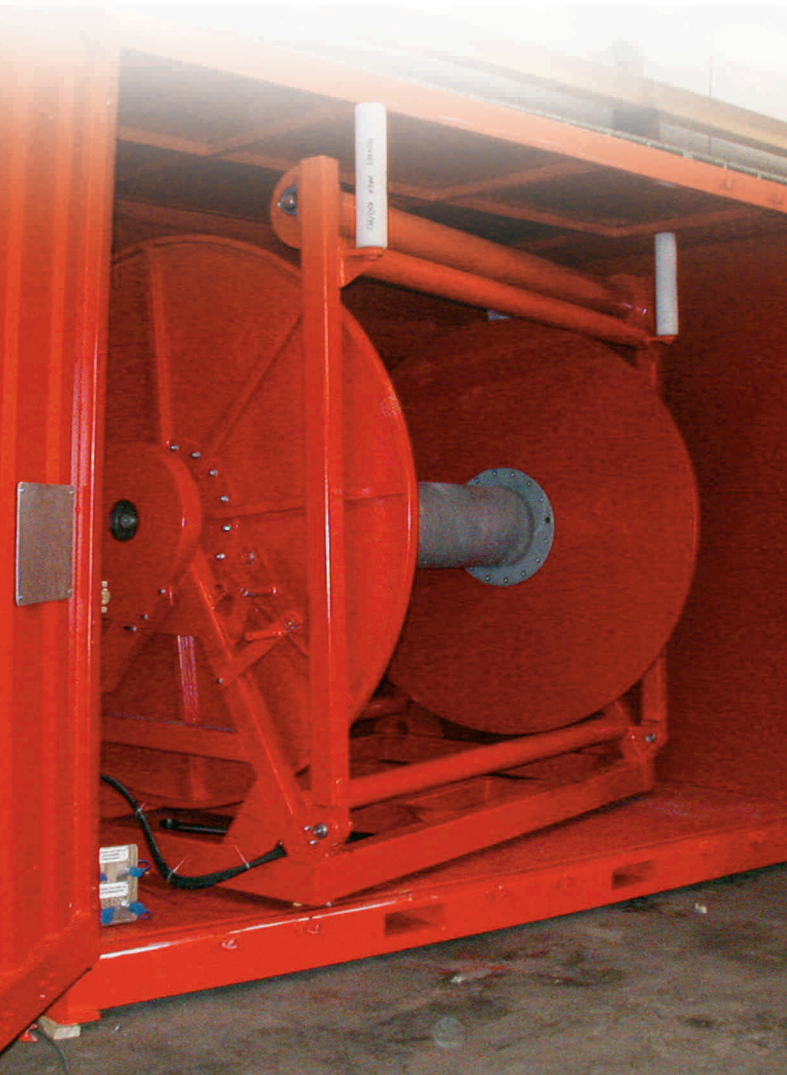
The NorMar boom reels are built from coated mild steel, with hot dip galvanised centre pipe.

The reels are powered by hydraulic motor mounted on a reduction gearbox with brake. The reels are mounted on a bottom foundation – turntable. A hydraulic cylinder, giving a turn of +- 30 degrees, operates the turntable.

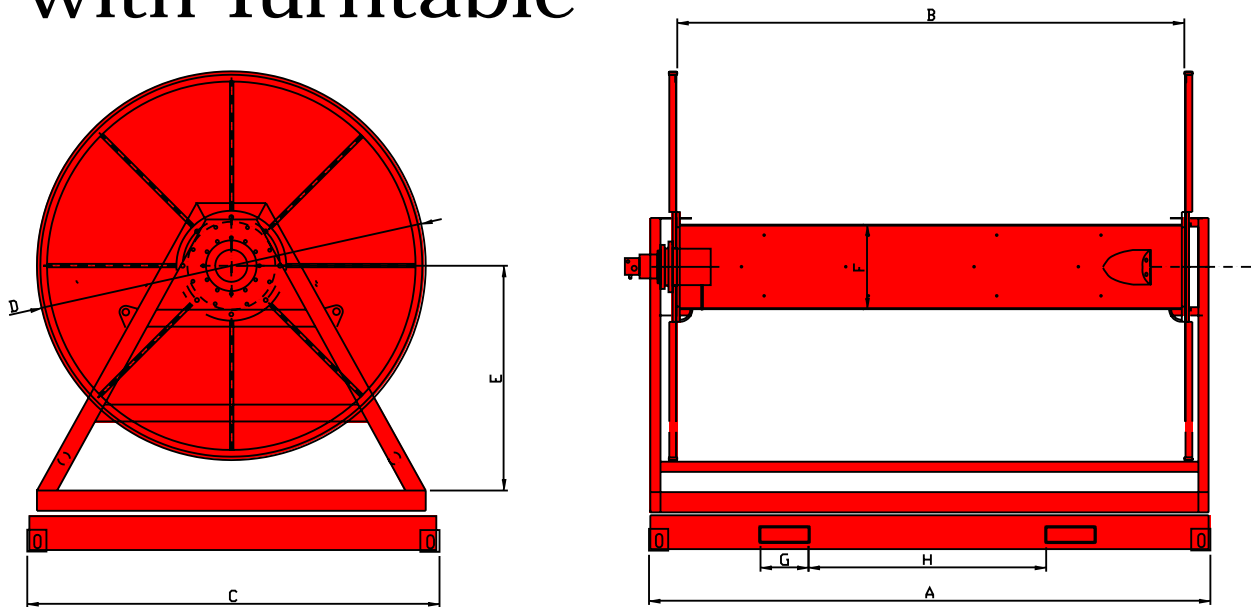
The reels are complete with hydraulic operating valve and quick couplings for easy hook-up to a vessels central hydraulic system, or an independent hydraulic power pack.

The reels may be delivered with an air filling connection for automatic inflation of the oil boom

The reels are sandblasted, painted with 3 layers to a thickness of 335 my. Standard colour is red – RAL 3020



NorMar Boom Reels with Turntable



Reel volume	A	B	C	D	E	F	G	H	Turn angle	Weight kgs
5 m ³	2080	1780	2438	1960	987	500	284	1060	+30°	1280
8 m ³	2500	2225	2438	2250	1050	500	284	1060	+30°	1600
10 m ³	3184	2796	2438	2300	1304	500	284	1060	+30°	1750
12 m ³	3287	3000	2438	2300	1330	500	284	1400	+30°	1950
14 m ³	3800	3500	2438	2300	1330	500	284	1400	+30°	2020
16 m ³	4527	4045	2438	2300	1270	500	284	1400	+30°	2800
18 m ³	4580	4100	2438	2500	1470	500	284	1400	+30°	3200



Manufacturer

NOREN Bergen AS, Sørehavnv. 41, 5179 Godvik - Norway

Phone: +47 55 50 86 70 Mail: post@noren.no
Fax: +47 55 50 86 71 Web: www.noren.no

World wide distributor

AllMaritim AS, P.O. Box 51, 5812 Bergen, NORWAY

Phone: +47 55 33 61 60 Mail: post@allmaritim.com
Fax: +47 55 33 61 61 Web: www.allmaritim.com

