

# NorMar Hose handling Systems

## Oil Spill *Response* *Equipment*

The NorMar Hose Handling Reels are designed as modular units in order to best meet the client's technical and economical requirements.

The reels are equipped with swivel connections for transfer of oil and for hydraulic power to the skimmer head.

All functions are hydraulically powered and there are no electrical installations.

The Hose Handling System can be delivered as follows:

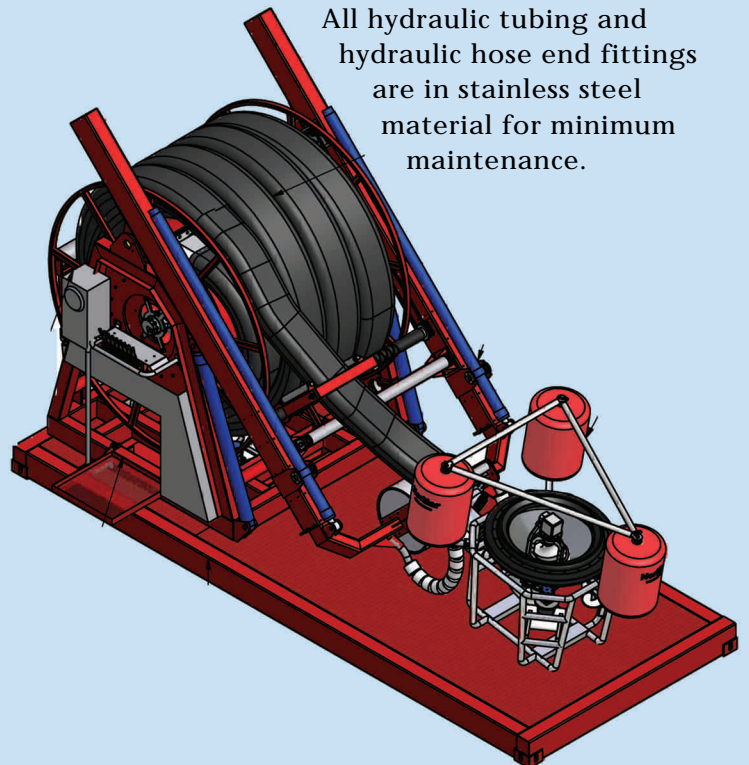
A simple hose reel with hose and a guide wheel for hose operation by vessel with crane.

A Hose reel with turntable for easy operation of skimmer head from deck to sea.

A hose reel built together with a crane arm for one man oil recovery operation. (TI-version)

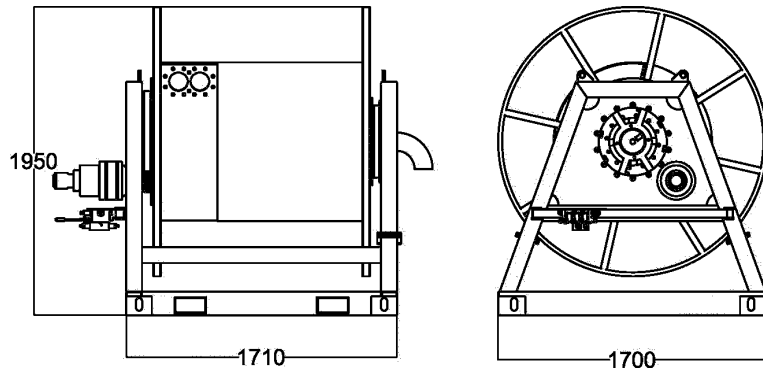
The system is made from coated mild steel.

All hydraulic tubing and hydraulic hose end fittings are in stainless steel material for minimum maintenance.

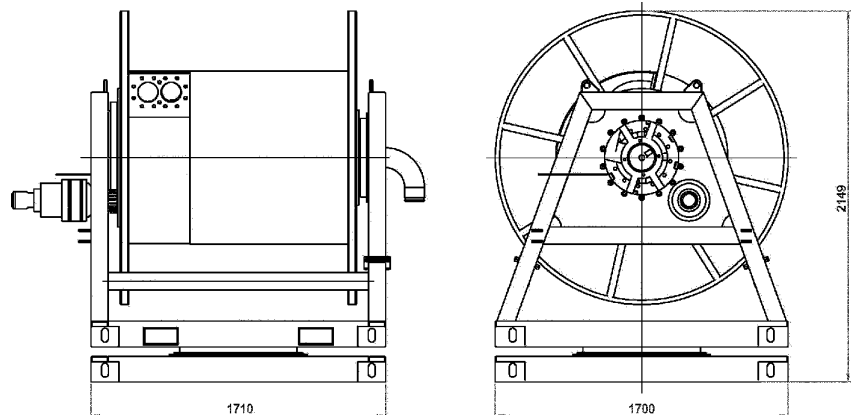


# Hose Handling Systems

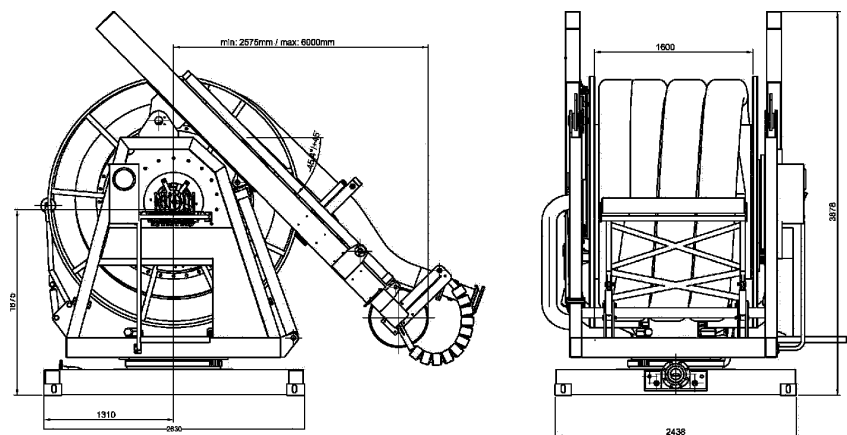
NorMar Hose Handling reel for storage of 40 m 4 " floating multihose without turntable



NorMar Hose Handling reel for storage of 50 m 4 " floating multihose with turntable.



NorMar Hose Handling reel for storage of 50 m 6 " floating multihose with turntable and lift arm.



## Manufacturer

NOREN Bergen AS, Sørehavvn. 41, 5179 Godvik - Norway

Phone: +47 55 50 86 70    Mail: [post@noren.no](mailto:post@noren.no)  
 Fax: +47 55 50 86 71    Web: [www.noren.no](http://www.noren.no)

## World wide distributor

AllMaritim AS, P.O. Box 51, 5812 Bergen, NORWAY

Phone: +47 55 33 61 60    Mail: [post@allmaritim.com](mailto:post@allmaritim.com)  
 Fax: +47 55 33 61 61    Web: [www.allmaritim.com](http://www.allmaritim.com)

